

# **AW-XM606**

**IEEE 802.11a/b/g/n/ac/ax Wi-Fi with Bluetooth**

**Combo LGA Module**

**Reference Design Guide**

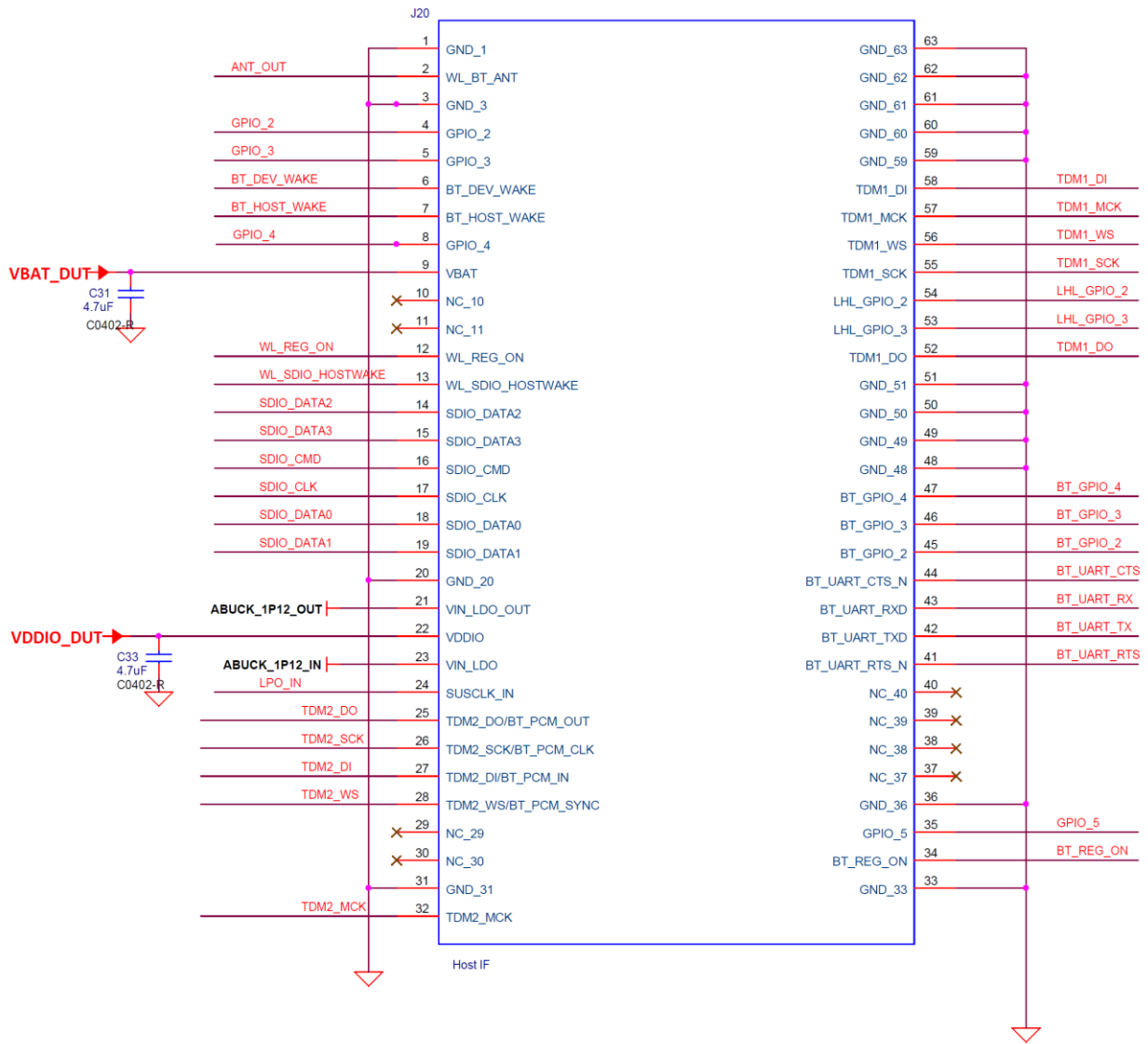
**Rev. 01**

**(For Standard)**

## Revision History

Version	Revision Date	Description	Initials	Approved
01	2024/05/17	● Initial	QM.Tan	N.C. Chen

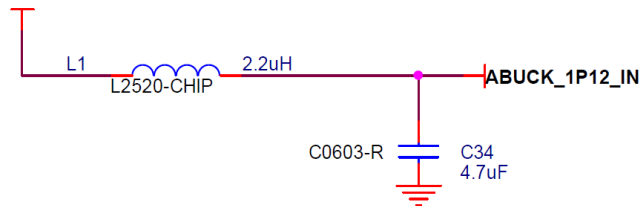
# 1. Reference Design



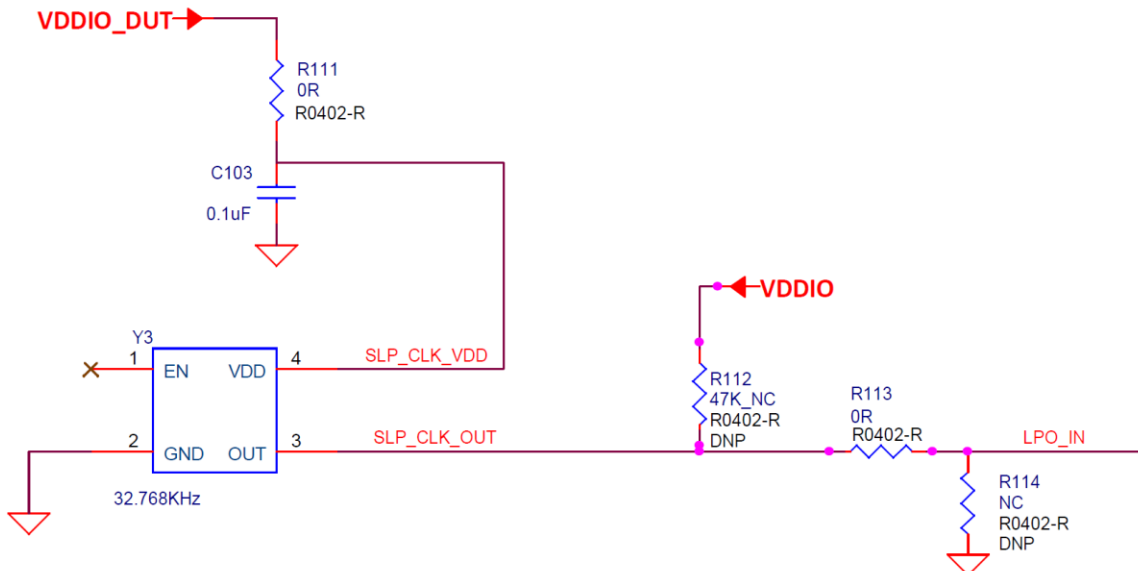
## Power Inductor

L1 and C34 as close to Module as possible.

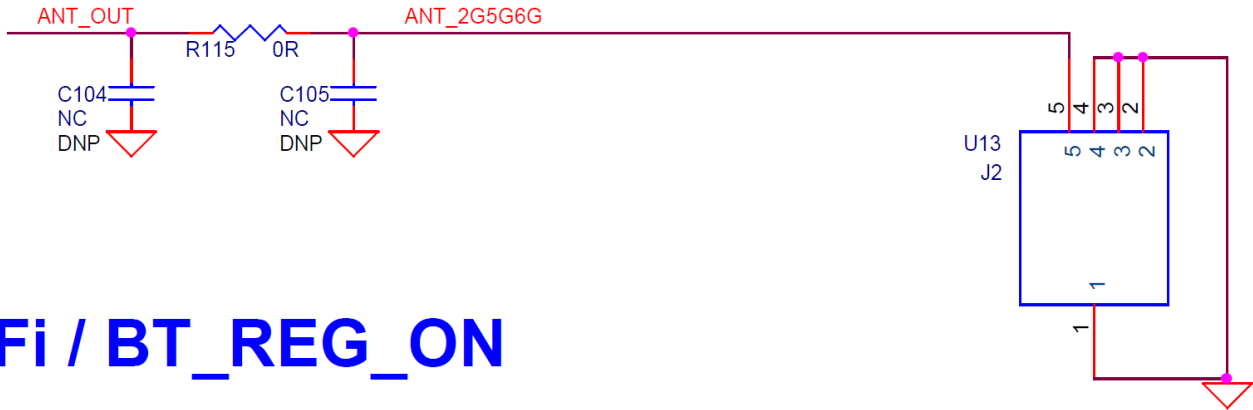
ABUCK\_1P12\_OUT



## SLEEP CLOCK



# ANT



# WiFi / BT\_REG\_ON

