

# **AW-HM610**

## **Reference Design Guide**

**Rev. 01**

(For Standard)

## Revision History

Version	Revision Date	Description	Initials	Approved
01	2023/11/30	● Initial Version	Daniel Lee	N.C. Chen

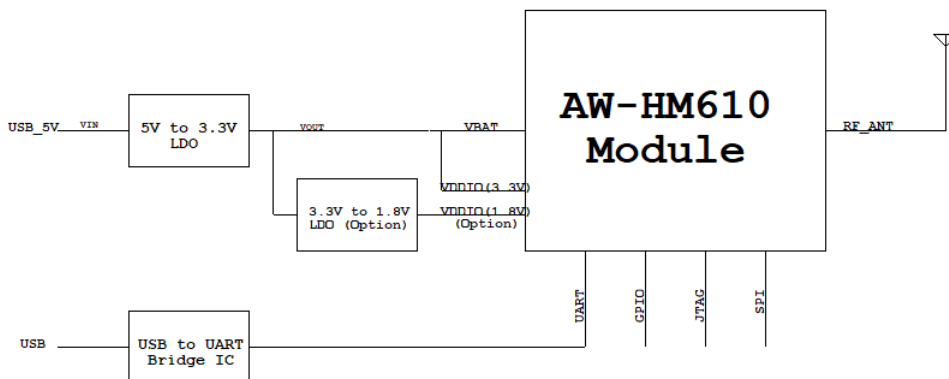
## 1 Overview


### 1.1 Device supported

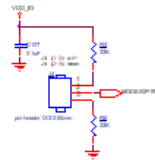
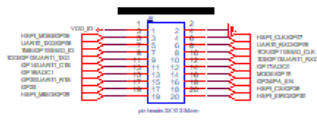
This document is used for AW-HM610.

## 2. Reference Design

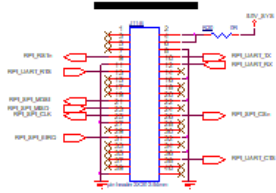
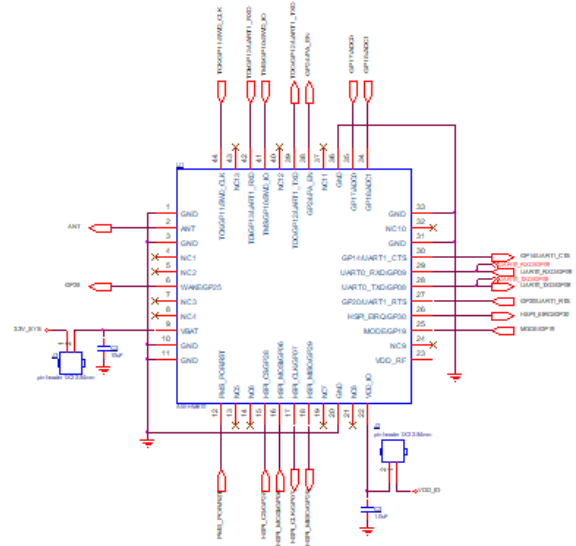
Please see the below pages.



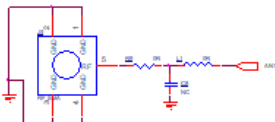
 AzureWave Technologies, Inc.		
Title <b>Title Page</b>		
Size A3	Document Number RD2-2610-11	Rev A
Date: Thursday, November 30, 2023	Sheet	1 of 3



**MODE SELECT**



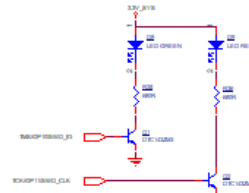
**RASPBERRY IF 3.3V**



**ANTENNA CON**

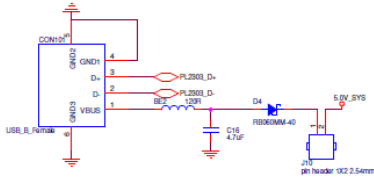


**Reset**

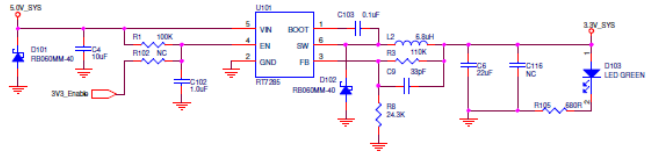


**Indicate**

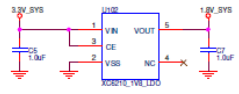




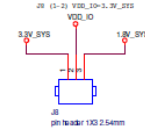
**EXT POWER**



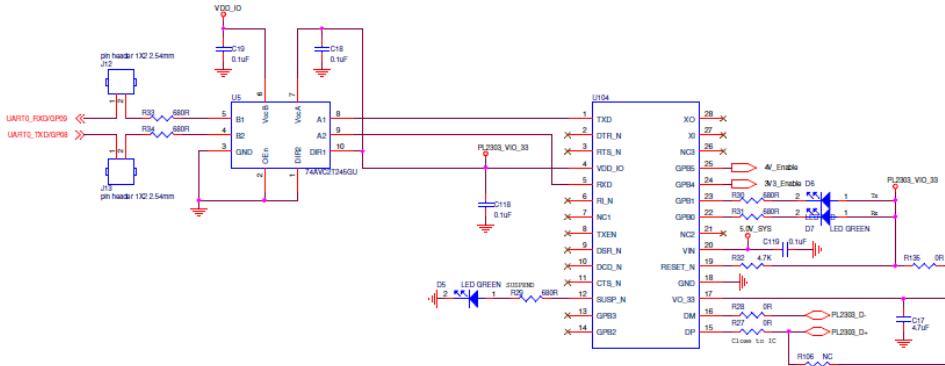
**3.3V POWER**




**1.8V POWER**



**IO VOLTAGE SELECT**



**UART TO USB**

		
<b>AW-2610_Power</b>		
Rev	Document Number	Rev
C	AW-2610-01	A
Date: Thursday, November 30, 2006 Page: 3 of 3		