

AW-HM593

Reference Design Guide

Rev. 01

(For Standard)

Revision History

Version	Revision Date	Description	Initials	Approved
01	2022/08/23	● Initial Version	Daniel Lee	N.C. Chen

1 Overview

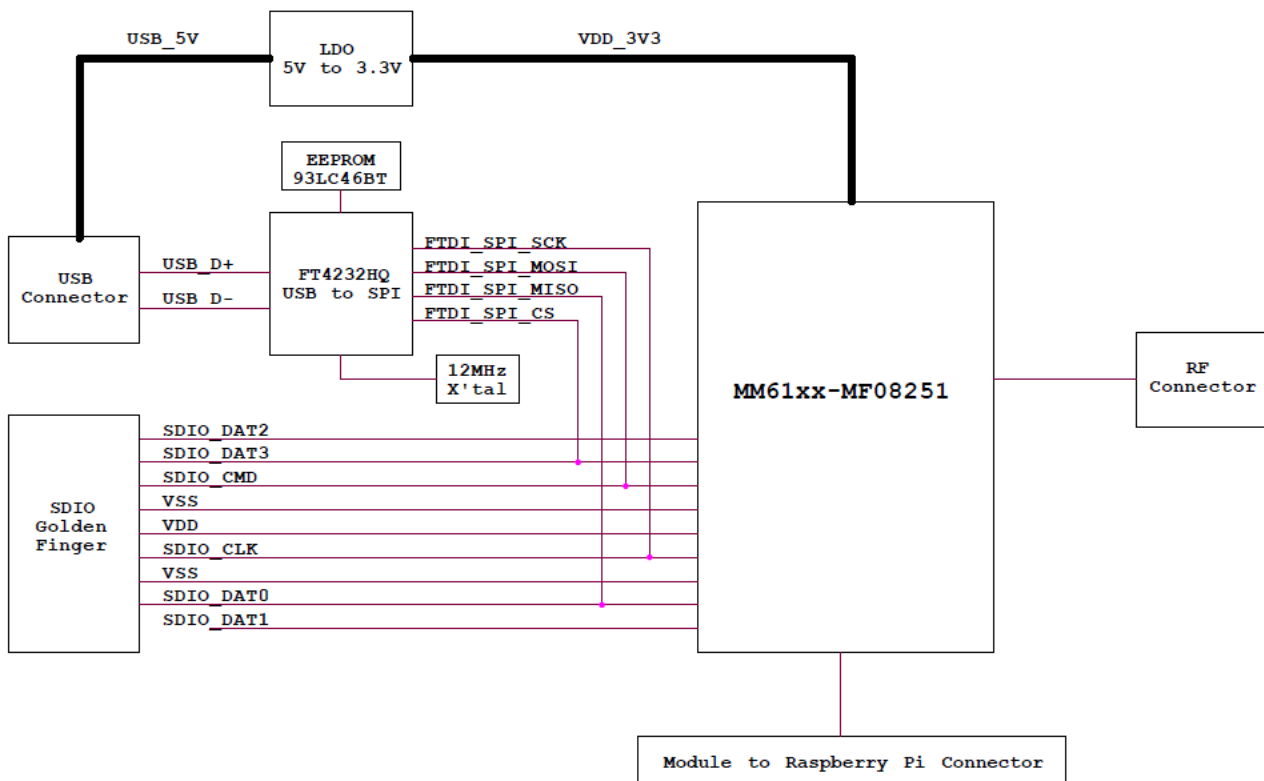
1.1 Device supported

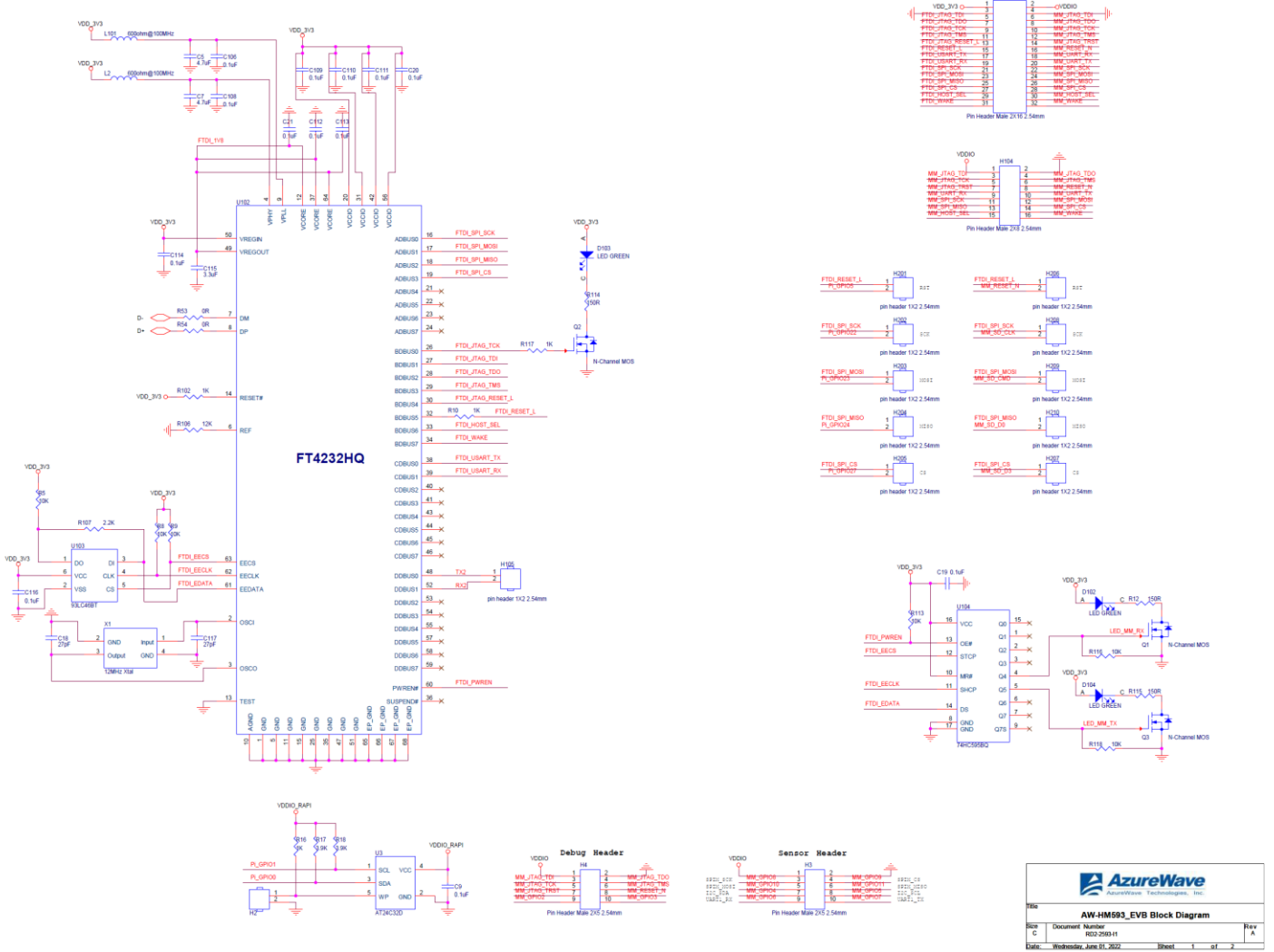
This document is used for AW-HM593.

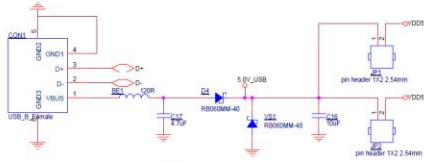
2. Reference Design

Please see the below pages.

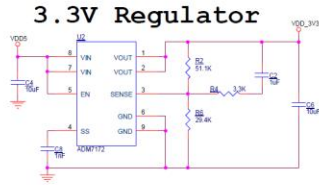
AW-HM593 EVB Block Diagram



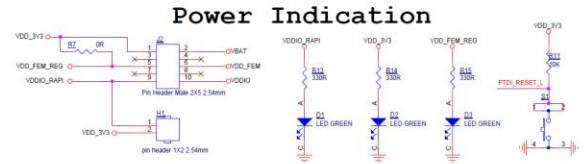
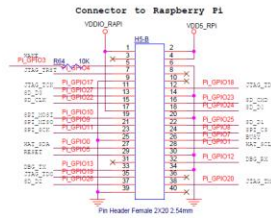
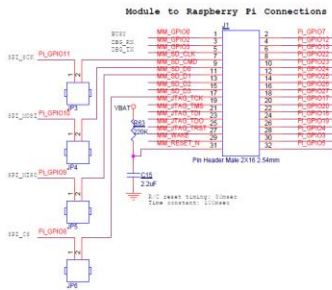
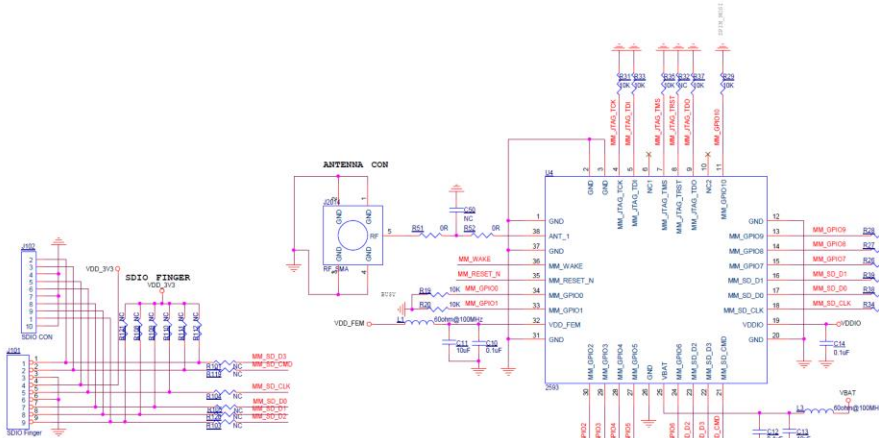




EXT POWER



3.3V Regulator



Power Indication