

AW-HM482

Reference Design Guide

Rev. 01

(For Standard)

Revision History

Version	Revision Date	Description	Initials	Approved
01	2021/02/25	● Initial Version	Daniel Lee	N.C. Chen

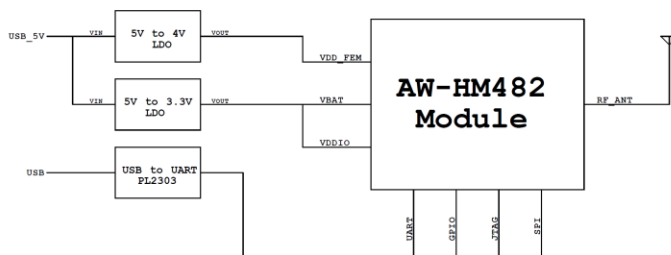
1 Overview

1.1 Device supported

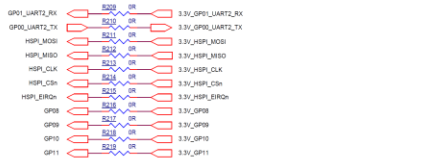
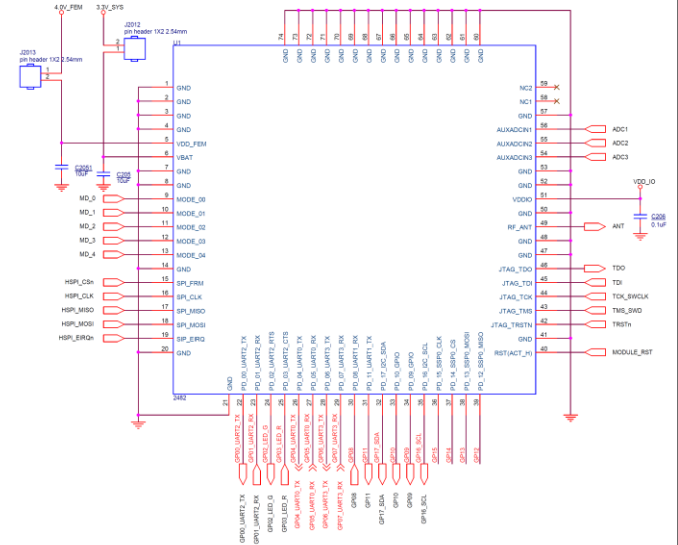
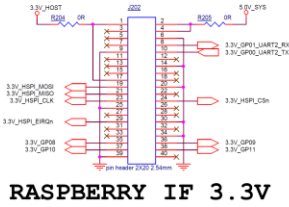
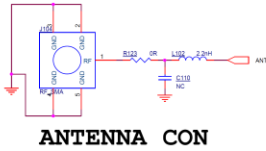
This document is used for AW-HM482.

2. Reference Design

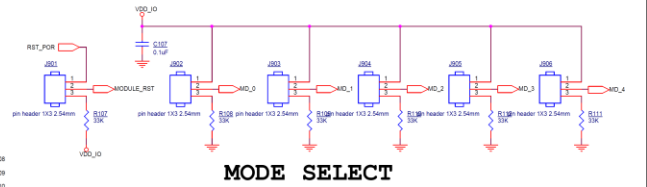
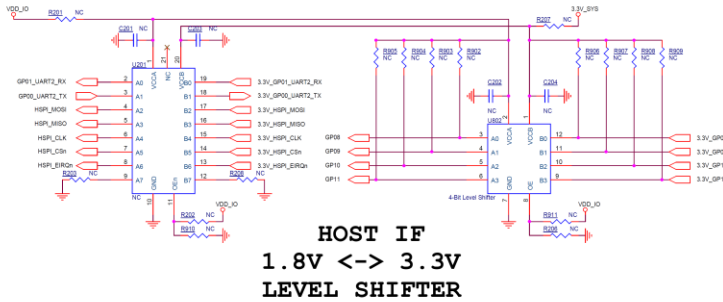
Please see the below pages.




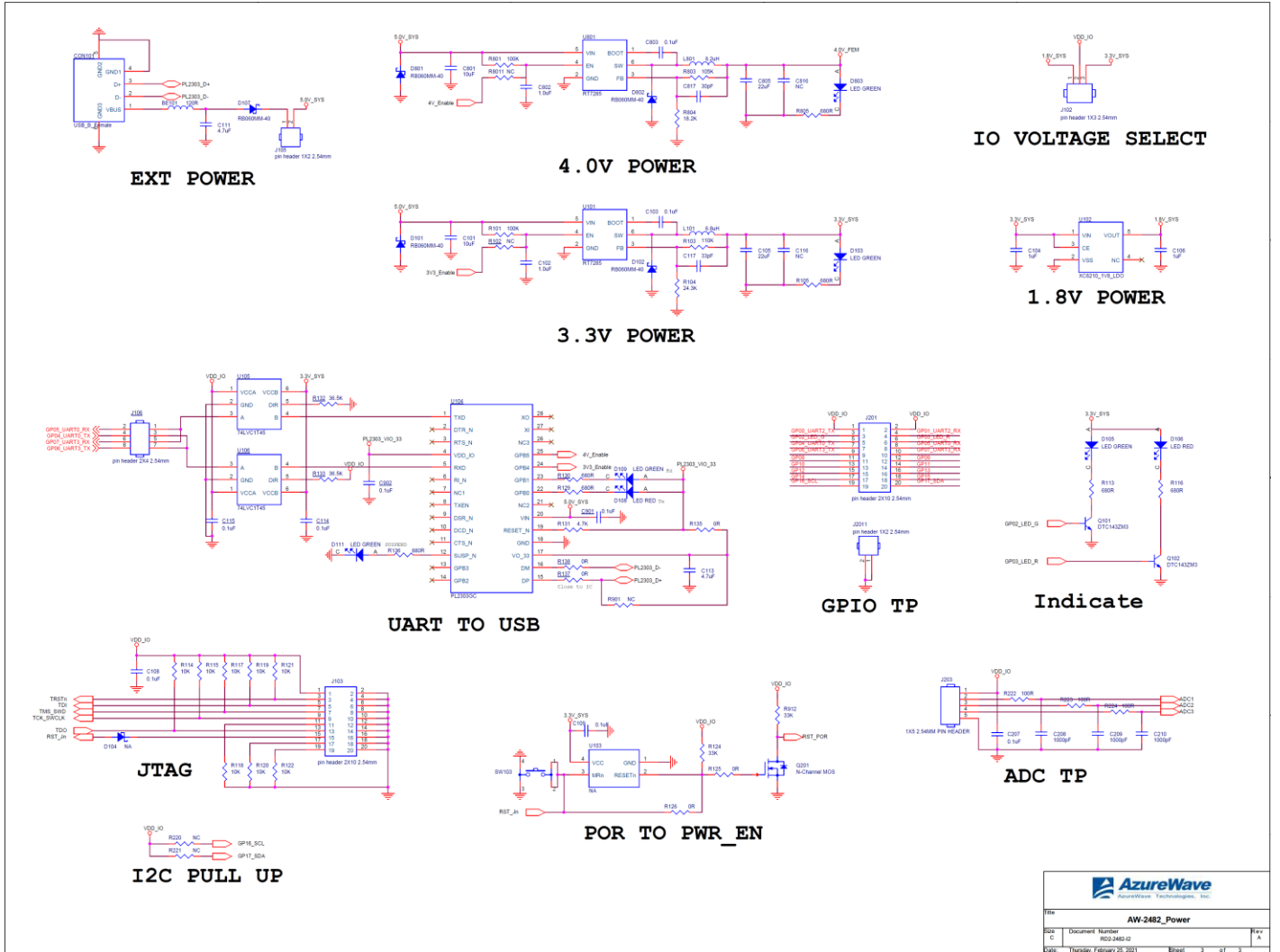
 AzureWave Technologies, Inc.		
Title Page		
Size: A3	Document Number: R02-2482-02	Rev: A
Date: Thursday, February 25, 2011	Sheet: 1 of 3	




When R209~R219 connect 0ohm
U201 and U802 will be removed



		
AW-2482_Module		
Rev	Document Number	Rev
C	RD02482-0	A
Date	Thursday, February 26, 2015	Sheet 2 of 3



			
AW-2482_Power			
Rev	Document Number	Rev	Rev
C	R03-2482-02	1	A
Date:	Thursday, February 25, 2011	Release	3 of 3